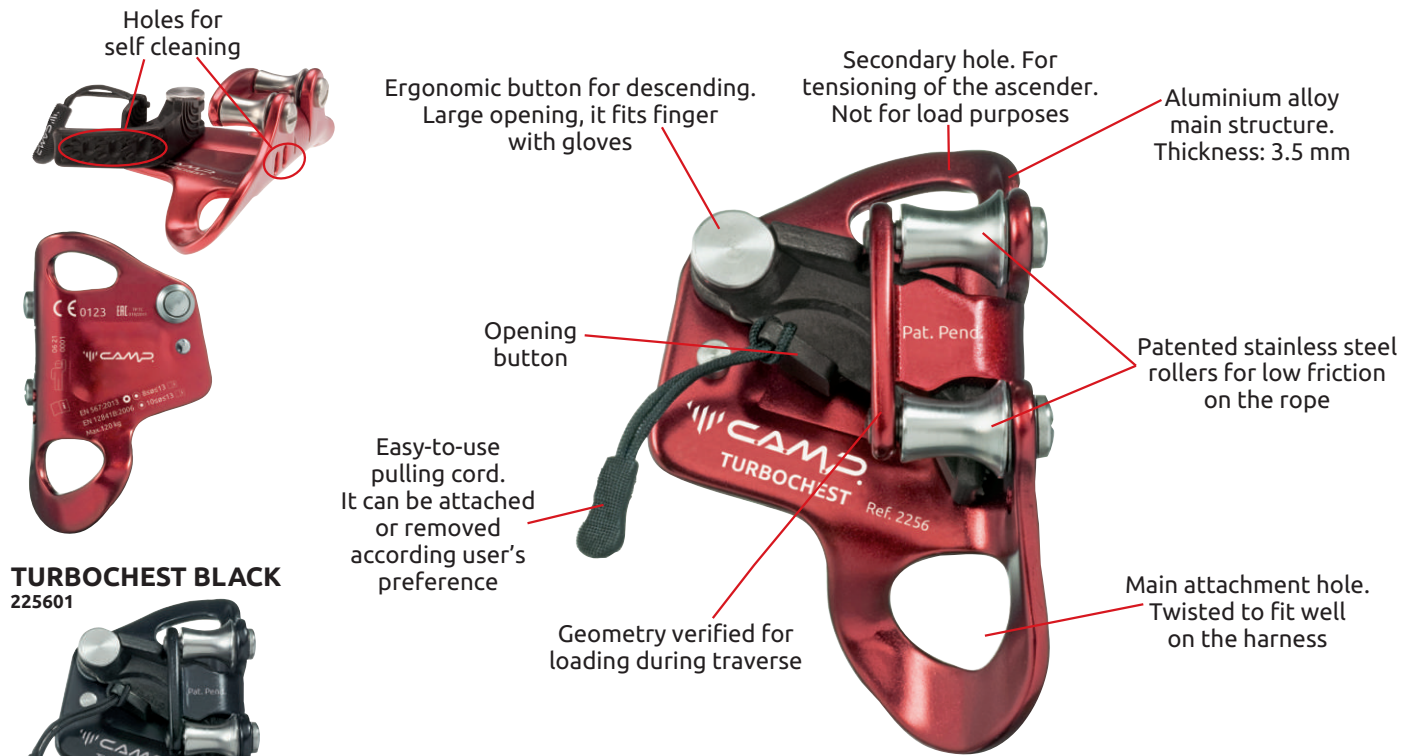


A revolutionary chest ascender that features two rollers for a smooth interface with the rope. This not only helps with climbing efficiency by making the upward glide much smoother. It also reduces dangerous wear and tear on the device where the rope tends to rub on the body of a traditional ascender. The perfectly profiled closure keeps the rope in line with the body of the device and the rollers to prevent the rope from escaping the device during tight pendulums and traverses. Self-cleaning holes on both the body and the cam help prevent the build up of grit and grime. Thicker body plates and a shaped connection point reduce wear on the device caused by shifting between the device and the connector (especially when used with steel connectors). This also keeps the device more in line with the body during use. The opening mechanism is simple and secure with the ability to lock the device open for easier attachment and a removable pull cord that makes it easier to operate while wearing gloves. The proprietary rollers also allow the Turbochest to be rigged as a locking pulley for light hauling with a max load of 50 kg, 110 lbs.

NOTE: This configuration is not intended for hauling or securing of bodies.

Standards: EN 12841/B for semi-static ropes ranging from 10 to 13 mm; EN 567 for semi-static and dynamic ropes ranging from 8 to 13 mm.



TURBOCHEST BLACK
225601

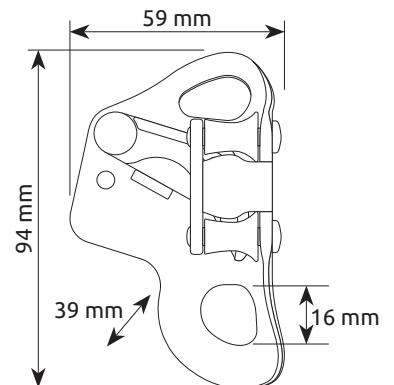


PULLER FOR TURBOCHEST / SOLO 2

0778, 10 g, 0.4 oz



Spare pull tabs for the Solo 2 and Turbochest ascenders. Sold in packs of 10 pcs.



Ref.	Product name	Weight		Rope diameter		CE		ERC
		g	oz	Min - mm	Max - mm	EN 12841/B	EN 567	
2256	TURBOCHEST	110	3.9	8	13	•	•	•
225601	TURBOCHEST BLACK							