

The strongest steel carabiner in the C.A.M.P. range. Its wide gate opening makes it particularly useful with knots. Keylock closure prevents snagging during use.

**D Pro Lock
1877**



Screw gate locking system.

**D Pro 2Lock
187701**

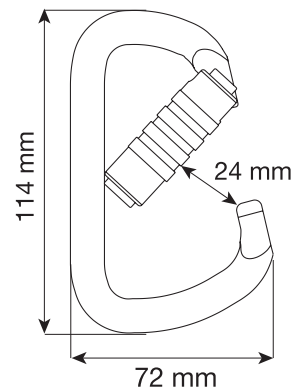
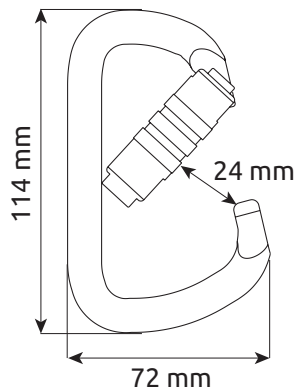
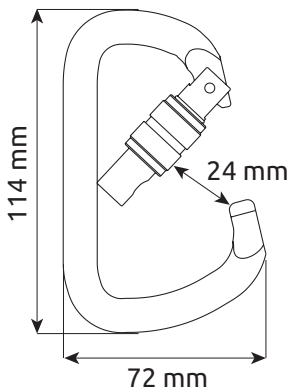


Automatic lock requires two actions to open: twist and pull.

**D Pro 3Lock
187702**



Automatic lock requires three actions to open: slide, twist and pull.



Ref.	Product name	Weight								CE		EAC
		g	oz							kN	kN	
1877	D PRO LOCK	250	8.8	50	15	18	24	114	72	B	B	•
187701	D PRO 2LOCK	270	9.5	50	15	18	24	114	72	B	B	•
187702	D PRO 3LOCK	280	9.9	50	15	18	24	114	72	B	B	•